

**Automotive World 2020
11th EV & HEV Drive System Technology Expo**



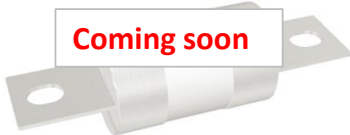
SOC Corporation cordially invites you to visit our booth at the upcoming Automotive World 2020. We will be displaying our fuses for EV, HEV and PHEV applications and are glad to answer all of your questions. One invitation per person will be required for entrance to the exhibition. Please contact us if you need invitations.


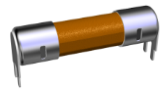

Products for Exhibition

**Highly Reliable Protection for EV, HEV, and PHEV Main Batteries and Auxiliaries
Enhanced High-Density Surface Mount Fuse for Automotive On-Board Electronics**

- SOC can recommend the best fuse according to your usage conditions, including coordination with other components. Our lineup includes a wide range of rated voltages and currents.
- PT/PL/PI series provides the breaking capability and durability required for next generation vehicles.
- 11CTB is the perfect solution for all vehicles with a maximum operating temperature of 125 °C .

Fuses for EV, HEV, and PHEV Main Batteries and Auxiliaries

	DC450VPT2545	DC450VPT3050	《NEW》 Coming soon
			
Body Size:	φ 26 × 46 mm	φ 31 × 51 mm	φ 40 × 65 mm
Rated Voltage:	DC 450 V	DC 450 V	DC 500 V
Rated Current:	180 A, 200 A, 225 A	250 A, 300 A, 350 A	500 A
Rated Breaking Capacity:	10,000 A @ DC 450 V	16,000 A @ DC 450 V	20,000 A @ DC 500 V


	DC500VPL1040A	《NEW》 DC500VPI1040	Small, Inrush-withstanding & Surface-mount Fuse 11CTB
			
Body Size:	φ 10 × 40 mm	φ 10 × 40 mm	L 3.2 × W 1.6 × H 1.05 mm
Rated Voltage:	DC 500 V	DC 500 V	DC 72 V
Rated Current:	40 A, 50 A	40 A, 50 A	100 mA ~ 10 A
Rated Breaking Capacity:	10,000 A @ DC 500 V	10,000 A @ DC 500 V	50 A @ DC 72 V

We are looking forward to speaking with you!

We will have many other items at our booth.

Sincerely,
Narihisa Kanai
General Manager, Sales Department

Our engineers are available to answer any and all of your questions!

<p>Date: Jan. 15 (Wed) – Jan 17. (Fri)</p> <p>Time: 10:00 – 18:00 (10:00 – 17:00 on Jan. 17)</p> <p>Venue: Tokyo Big Sight AOMI Exhibition Halls</p> <p>Access: 4 min from AOMI Station or 6 min from Odaiba-kaihinkoen Station on the Yurikamome Line or 2 min from Tokyo-Teleport Station on the Rinkai Line</p>	 <p align="center">SOC Booth AOMI Exhibition Halls Booth A6-49</p>
--	--

Please reply to: SOC Corporation, Sales Department
E-mail: ce@socfuse.com Fax: 03-5420-6699

Appointment Sheet

Benefits of using an Appointment Sheet

1. We will prepare seats for you.
2. Sales representatives and technical staff will attend your appointment.
3. If you inform us of your requirements, we will prepare proposals in advance for your specific needs.

When do you plan to attend the 2020 Automotive World: 11th EV/HEV Drive System Technology Exhibition?

- | | |
|--|-------|
| <input type="checkbox"/> Jan. 15 (Wed) | Time: |
| <input type="checkbox"/> Jan. 16 (Thu) | Time: |
| <input type="checkbox"/> Jan. 17 (Fri) | Time: |

Company: _____

Department: _____

Position: _____

Name: _____

Tel: _____

Fax: _____

E-mail: _____

Please indicate any products, technology, or other items of interest.

For questions or invitation tickets, please contact us with the contact information below.

SOC Corporation
3-16-17 Takanawa, Minato-ku, Tokyo 108-0074
Tel: 03-5420-1011 Fax: 03-5420-6699
E-mail: ce@socfuse.com