

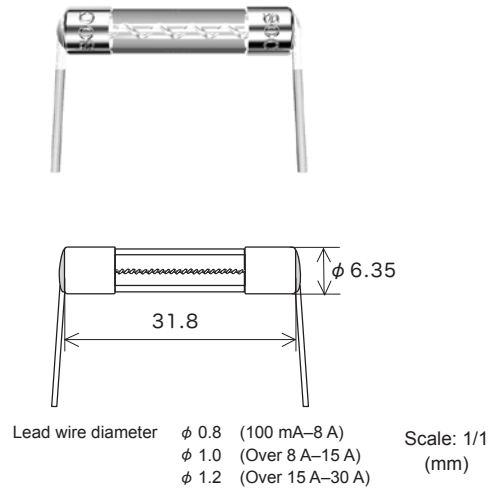
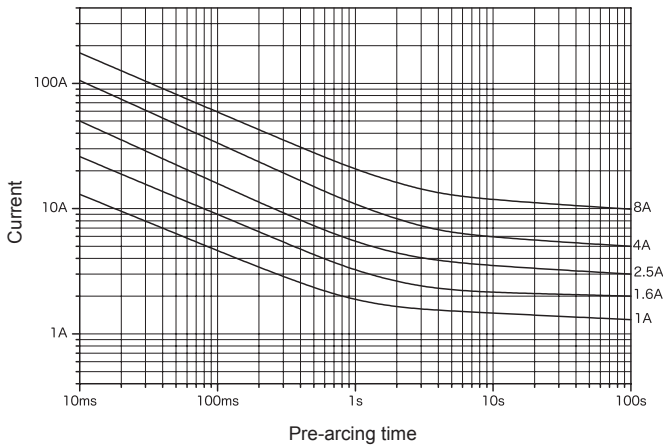
# ST3

Inrush-withstand

RoHS-compliant\*2

Pb free\*2

Representative pre-arcing time-current characteristics



Rated voltage	Certification	Rated current (I <sub>N</sub> ) *1	Rated breaking current	Temp. rise	Current carrying capacity	Overload operation
AC 250 V		100 mA-1 A	10000 A	PF 0.7-0.8	70 K or less at 1.1 I <sub>N</sub>	Within 60 min at 1.35 I <sub>N</sub> Within 2 min at 2.0 I <sub>N</sub>
		Over 1 A-8 A	200 A			
		Over 8 A-30 A		-	1.0 I <sub>N</sub> until constant temperature is obtained on each part	

\*1: Customer-requested rated current values can be supplied from within the given range.

\*2: 100 mA-8 A Pb free  
 Over 8 A-30 A This product uses high melting temperature type solder containing 85% by weight or more lead. This type of solder is exempted from the RoHS Directive.

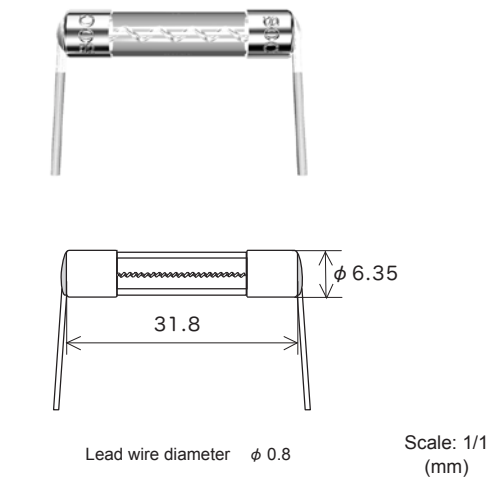
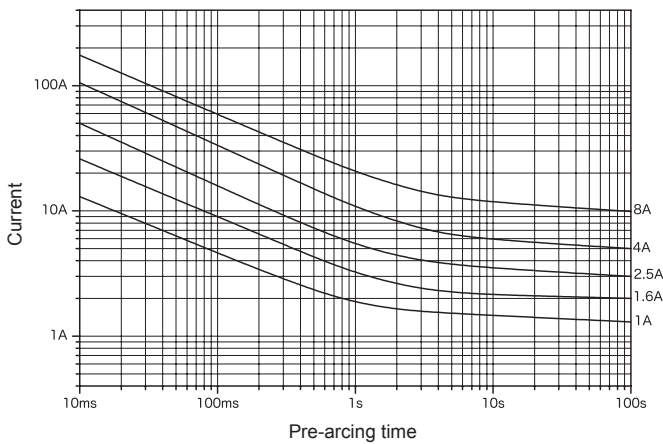
# ST3 N1

Inrush-withstand

RoHS-compliant

Pb free

Representative pre-arcing time-current characteristics



Rated voltage	Certification	Rated current (I <sub>N</sub> ) *1	Rated breaking current	Temp. rise	Current carrying capacity	Overload operation	
AC 250 V		100 mA-1 A	10000 A	PF 0.7-0.8	70 K or less at 1.1 I <sub>N</sub>	Within 60 min at 1.35 I <sub>N</sub> Within 2 min at 2.0 I <sub>N</sub>	
		Over 1 A-8 A	200 A				
		100 mA-1 A	500 A		At 1.1 I <sub>N</sub> , 140 K or less at the center, 60 K or less at the contact		1.1 I <sub>N</sub> until constant temperature is obtained on each part
		Over 1 A-8 A	100 A				

\*1: Customer-requested rated current values can be supplied from within the given range.

\*2: Fuses with rated currents of less than 1 A are not considered electrical products per the Electrical Appliance and Material Safety Law.