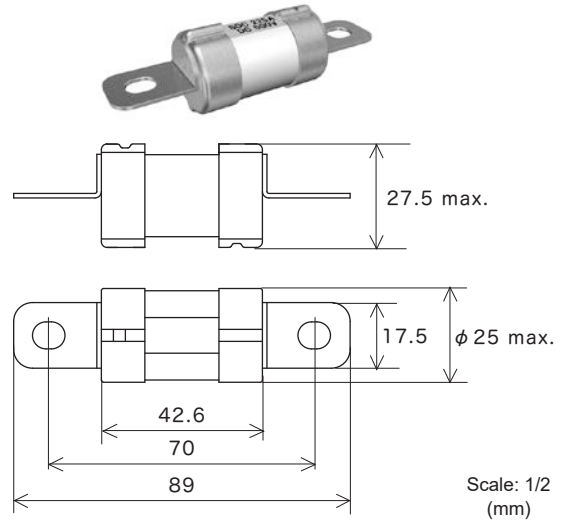
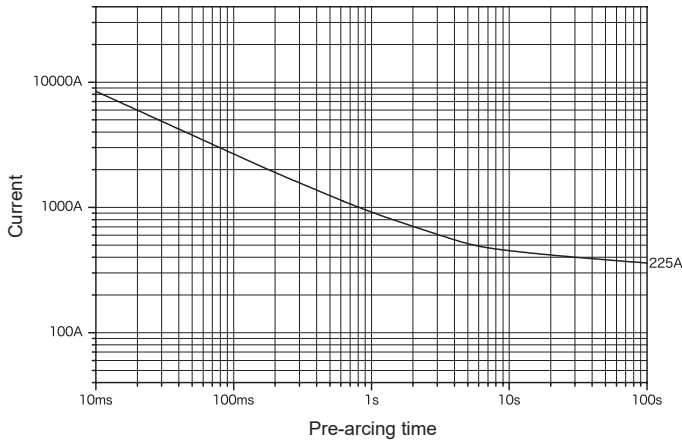


Representative pre-arcing time-current characteristics



Rated voltage	Certification	Rated current (I_N) *1	Rated breaking current		Min. breaking current	Temp. rise	Overload operation
DC 500 V	-	225 A	2000 A	Resistive circuit	5.0 I_N	50 K or less at 0.5 I_N	0.05 s–1 s at 5.0 I_N

*1: Please contact your local SOC sales representative for rated currents which are not listed.