

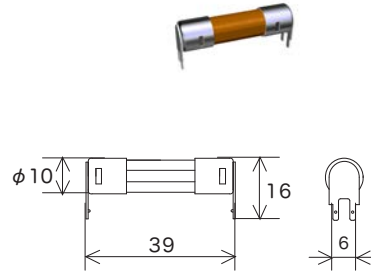
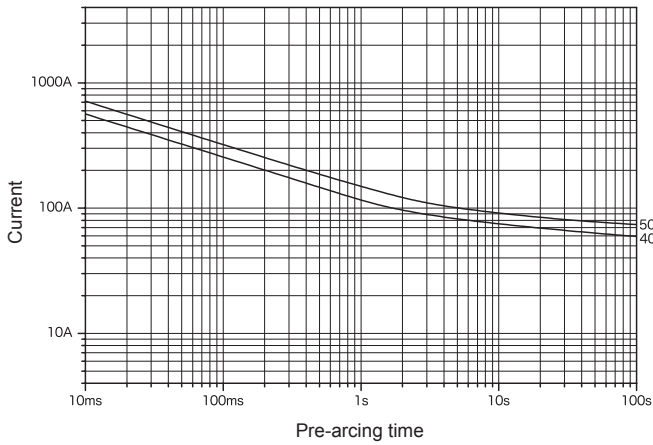
# DC500VPI1040

Quick-acting

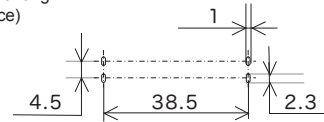
RoHS-compliant

Pb free

Representative pre-arcing time-current characteristics



Dimensions of mounting holes (for reference)



Scale: 1/2 (mm)

Rated voltage	Certification	Rated current (I <sub>N</sub> ) *1	Rated breaking current	Min. breaking current	Temp. rise	Current carrying capacity	Overload operation
DC 500 V	-	40 A 50 A	10000 A Resistive circuit	2.5 I <sub>N</sub>	75 K or less at 0.5 I <sub>N</sub>	4 h or more at 1.0 I <sub>N</sub>	Within 60 s at 2.5 I <sub>N</sub>

\*1: Please contact your local SOC sales representative for rated currents which are not listed.

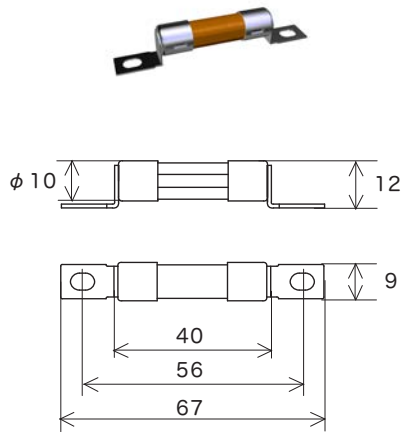
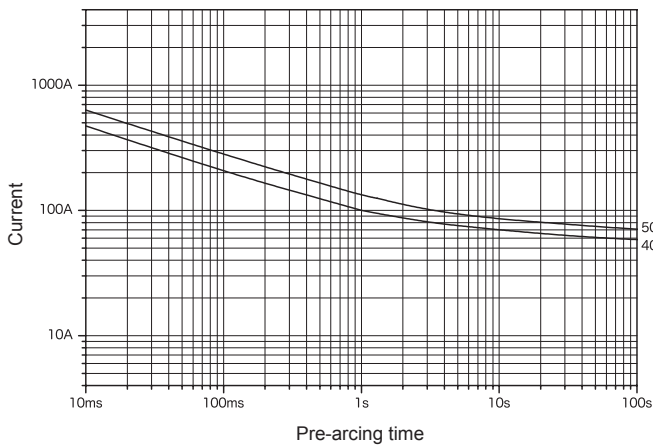
# DC500VPL1040A

Quick-acting

RoHS-compliant

Pb free

Representative pre-arcing time-current characteristics



Scale: 1/2 (mm)

Rated voltage	Certification	Rated current (I <sub>N</sub> ) *1	Rated breaking current	Min. breaking current	Temp. rise	Current carrying capacity	Overload operation
DC 500 V	-	40 A 50 A	10000 A Resistive circuit	2.5 I <sub>N</sub>	75 K or less at 0.5 I <sub>N</sub>	4 h or more at 1.1 I <sub>N</sub>	*2

\*1: Please contact your local SOC sales representative for rated currents which are not listed.

*2:	1.35 I <sub>N</sub>	1.5 I <sub>N</sub>	2.0 I <sub>N</sub>	3.0 I <sub>N</sub>	5.0 I <sub>N</sub>
	150 s–3600 s	10 s–1000 s	0.5 s–100 s	0.1 s–15 s	0.05 s–1 s