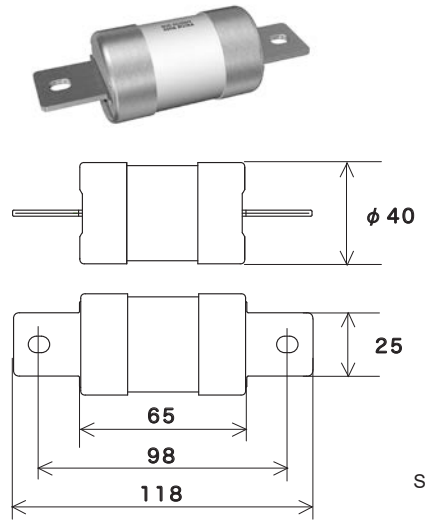
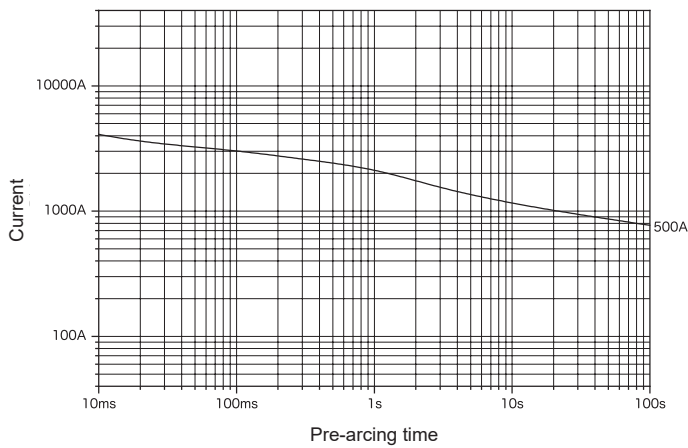


Representative pre-arcing time-current characteristics



Rated voltage	Certification	Rated current (I_N) *1	Rated breaking current	Min. breaking current	Current carrying capacity	Overload operation
DC 500 V	-	500 A	20,000 A ($\tau \leq 1$ ms)	$2.0 I_N$	$0.75 I_N$ until temperature stabilization occurs	1 s–300 s at $2.0 I_N$

*1: Please contact your local SOC sales representative for rated currents which are not listed.